

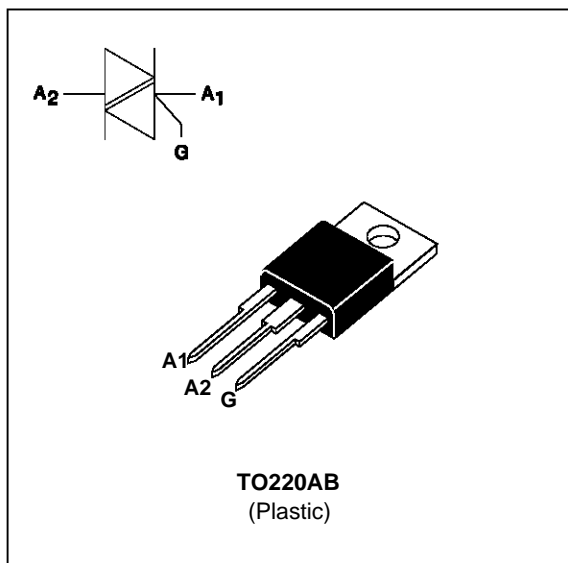
SNUBBERLESS TRIACS

FEATURES

- HIGH COMMUTATION : $(di/dt)_c > 9A/ms$ without snubber
- HIGH SURGE CURRENT : $I_{TSM} = 100A$
- V_{DRM} UP TO 800V
- BTA Family :
INSULATING VOLTAGE = 2500V_(RMS)
(UL RECOGNIZED : E81734)

DESCRIPTION

The BTA/BTB10 BW/CW triac family are high performance glass passivated chips technology. The SNUBBERLESS™ concept offer suppression of RC network and it is suitable for application such as phase control and static switching on inductive or resistive load.



ABSOLUTE RATINGS (limiting values)

Symbol	Parameter		Value	Unit	
I _{T(RMS)}	RMS on-state current (360° conduction angle)	BTA	T _c = 90 °C	10	A
		BTB	T _c = 100 °C		
I _{TSM}	Non repetitive surge peak on-state current (T _j initial = 25°C)		tp = 8.3 ms	105	A
			tp = 10 ms	100	
I ² t	I ² t value		tp = 10 ms	50	A ² s
di/dt	Critical rate of rise of on-state current Gate supply : I _G = 500mA di _G /dt = 1A/μs		Repetitive F = 50 Hz	20	A/μs
			Non Repetitive	100	
T _{stg} T _j	Storage and operating junction temperature range		- 40 to + 150 - 40 to + 125	°C °C	
TI	Maximum lead temperature for soldering during 10 s at 4.5 mm from case		260	°C	

Symbol	Parameter	BTA / BTB10-... BW/CW				Unit
		400	600	700	800	
V _{DRM} V _{RRM}	Repetitive peak off-state voltage T _j = 125 °C	400	600	700	800	V

BTA10 BW/CW / BTB10 BW/CW

THERMAL RESISTANCES

Symbol	Parameter		Value	Unit
Rth (j-a)	Junction to ambient		60	°C/W
Rth (j-c) DC	Junction to case for DC	BTA	3.3	°C/W
		BTB	2.7	
Rth (j-c) AC	Junction to case for 360° conduction angle (F= 50 Hz)	BTA	2.5	°C/W
		BTB	2.0	

GATE CHARACTERISTICS (maximum values)

$P_G (AV) = 1W$ $P_{GM} = 10W$ (tp = 20 μs) $I_{GM} = 4A$ (tp = 20 μs) $V_{GM} = 16V$ (tp = 20 μs).

ELECTRICAL CHARACTERISTICS

Symbol	Test Conditions	Quadrant		Suffix		Unit	
				BW	CW		
I _{GT}	V _D =12V (DC) R _L =33Ω	T _j =25°C	I-II-III	MIN	2	1	mA
				MAX	50	35	
V _{GT}	V _D =12V (DC) R _L =33Ω	T _j =25°C	I-II-III	MAX	1.5		V
V _{GD}	V _D =V _{DRM} R _L =3.3kΩ	T _j =125°C	I-II-III	MIN	0.2		V
t _{gt}	V _D =V _{DRM} I _G = 500mA dI _G /dt = 3A/μs	T _j =25°C	I-II-III	TYP	2		μs
I _L	I _G =1.2 I _{GT}	T _j =25°C	I-III	TYP	40	-	mA
			II	TYP	80	-	
			I-III	MAX	-	50	
			II	MAX	-	80	
I _H *	I _T = 500mA gate open	T _j =25°C		MAX	50	35	mA
V _{TM} *	I _{TM} = 14A tp= 380μs	T _j =25°C		MAX	1.65		V
I _{DRM} I _{RDM}	V _{DRM} Rated V _{RDM} Rated	T _j =25°C		MAX	0.01		mA
		T _j =125°C		MAX	2		
dV/dt *	Linear slope up to V _D =67%V _{DRM} gate open	T _j =125°C		MIN	500	250	V/μs
				TYP	750	500	
(dI/dt) _c *	Without snubber	T _j =125°C		MIN	9	5.5	A/ms
				TYP	18	11	

* For either polarity of electrode A2 voltage with reference to electrode A1.

ORDERING INFORMATION

Package	$I_T(\text{RMS})$	$V_{\text{DRM}} / V_{\text{RRM}}$	Sensitivity Specification	
	A	V	BW	CW
BTA (Insulated)	10	400	X	X
		600	X	X
		700	X	X
		800	X	X
BTB (Uninsulated)	10	400	X	X
		600	X	X
		700	X	X
		800	X	X

Fig.1 : Maximum RMS power dissipation versus RMS on-state current ($F=50\text{Hz}$).
(Curves are cut off by $(di/dt)_c$ limitation)

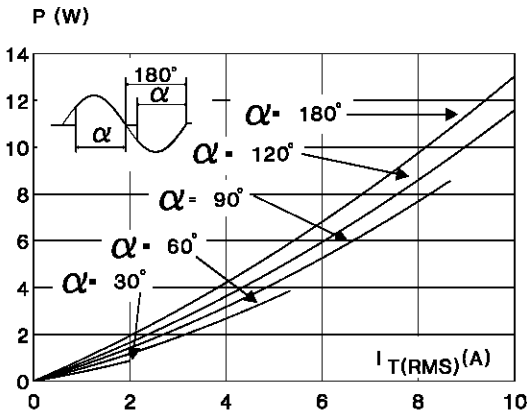


Fig.3 : Correlation between maximum RMS power dissipation and maximum allowable temperatures (T_{amb} and T_{case}) for different thermal resistances heatsink + contact (BTB).

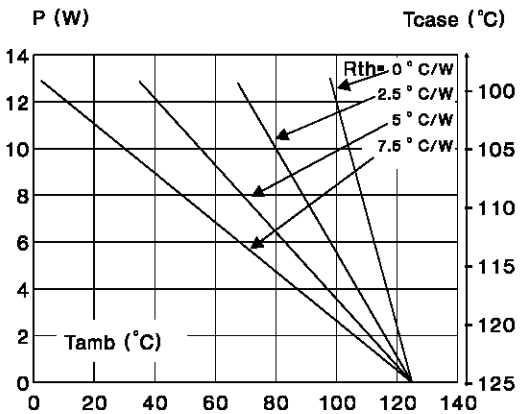


Fig.2 : Correlation between maximum RMS power dissipation and maximum allowable temperatures (T_{amb} and T_{case}) for different thermal resistances heatsink + contact (BTA).

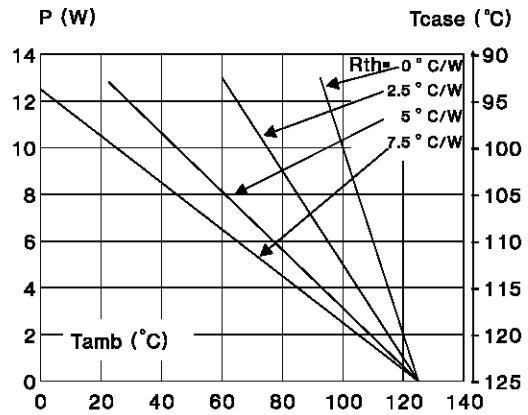
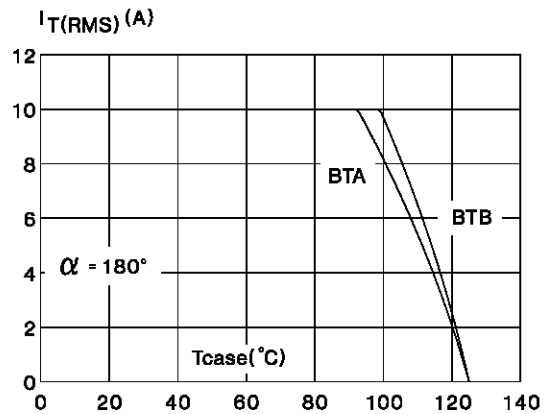


Fig.4 : RMS on-state current versus case temperature.



BTA10 BW/CW / BTB10 BW/CW

Fig.5 : Relative variation of thermal impedance versus pulse duration.

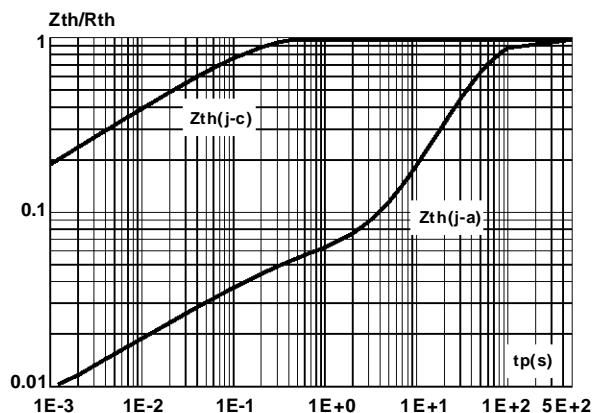


Fig.7 : Non Repetitive surge peak on-state current versus number of cycles.

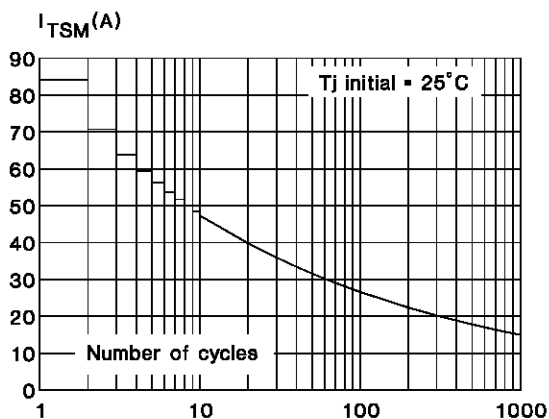


Fig.9 : On-state characteristics (maximum values).

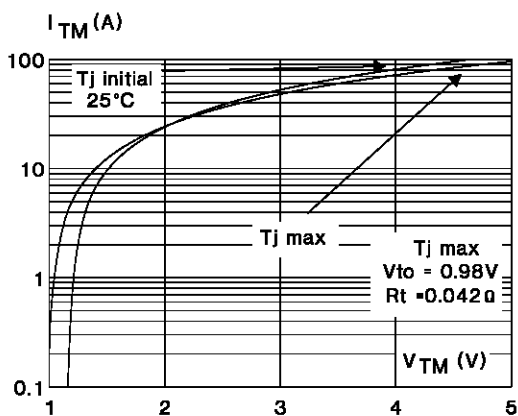


Fig.6 : Relative variation of gate trigger current and holding current versus junction temperature.

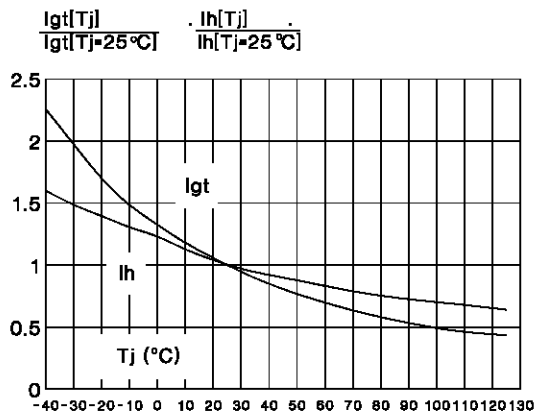
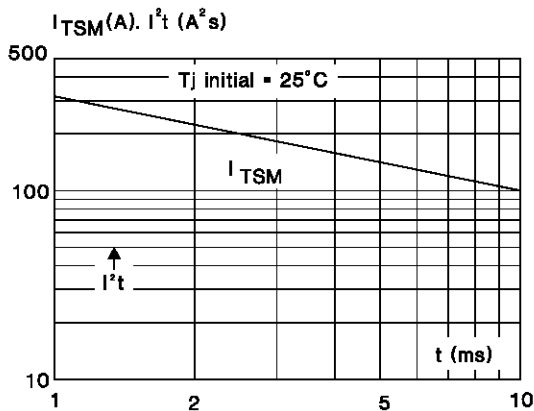
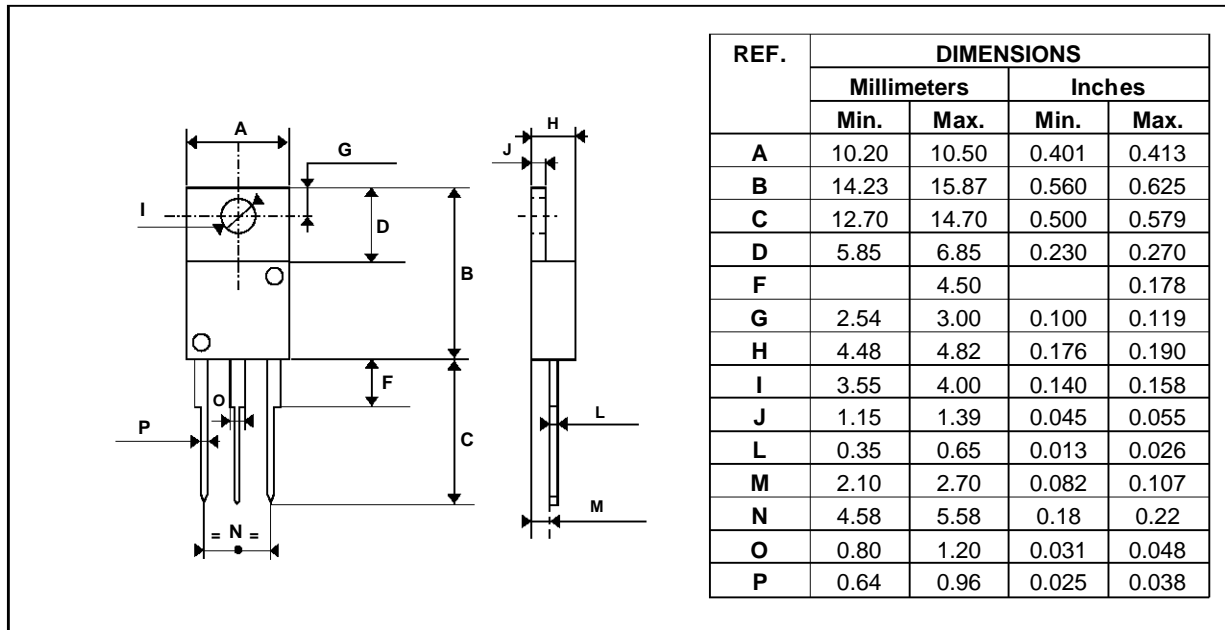


Fig.8 : Non repetitive surge peak on-state current for a sinusoidal pulse with width : $t \leq 10$ ms, and corresponding value of I^2t .



PACKAGE MECHANICAL DATA

TO220AB Plastic



Cooling method : C
 Marking : type number
 Weight : 2.3 g
 Recommended torque value : 0.8 m.N.
 Maximum torque value : 1 m.N.

Information furnished is believed to be accurate and reliable. However, SGS-THOMSON Microelectronics assumes no responsibility for the consequences of use of such information nor for any infringement of patents or other rights of third parties which may result from its use. No license is granted by implication or otherwise under any patent or patent rights of SGS-THOMSON Microelectronics. Specifications mentioned in this publication are subject to change without notice. This publication supersedes and replaces all information previously supplied.

SGS-THOMSON Microelectronics products are not authorized for use as critical components in life support devices or systems without express written approval of SGS-THOMSON Microelectronics.

© 1995 SGS-THOMSON Microelectronics - Printed in Italy - All rights reserved.

SGS-THOMSON Microelectronics GROUP OF COMPANIES

Australia - Brazil - France - Germany - Hong Kong - Italy - Japan - Korea - Malaysia - Malta - Morocco - The Netherlands - Singapore - Spain - Sweden - Switzerland - Taiwan - Thailand - United Kingdom - U.S.A.